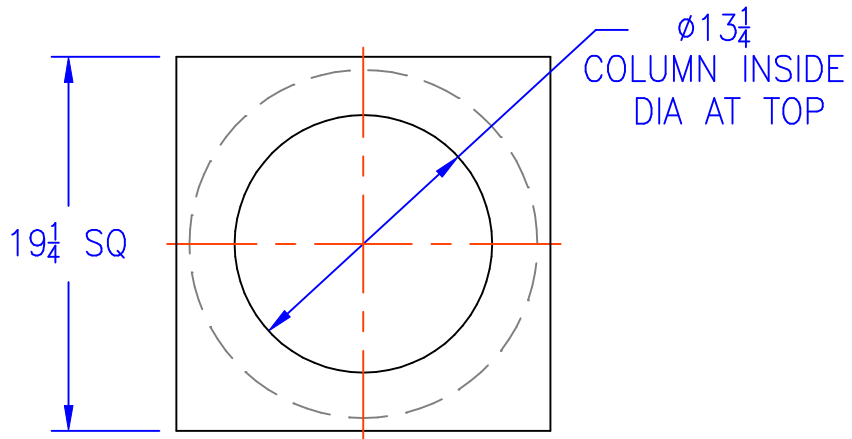


'L' OVERALL LENGTH	'B' BASE DIAMETER	WEIGHT IN LBS.
8'-0"	15 13/16"	50
9'-0"	15 15/16"	53
10'-0"	15 15/16"	57
12'-0"	15 15/16"	65
14'-0"	15 13/16"	76
16'-0"	16"	84
18'-0"	15 13/16"	93
20'-0"	16"	103



PLAN VIEW

16" COLUMN SPECIFICATIONS:

WALL THICKNESS: .125 (1/8")
 LOAD BEARING CAPACITY: 22,000 LBS (AXIALLY)
 NECK DIAMETER: 13 1/2 INCHES
 TOP (BUILD-UP) DIA: 14 INCHES

16" DIAMETER COLUMN - TUSCAN

DATE	REV	DESCRIPTION	REVISIONS	CONTRACT NUMBER	ORIGINATOR	DATE	TITLE
		UNLESS OTHERWISE SPECIFIED DIMENSIONS ARE IN INCHES			T. HARTLEY	11/11/04	FIBERGLASS COLUMN DETAIL 16" DIAMETER TUSCAN CAP & BASE
		DECIMAL TOLERANCES			CHECKER		SIZE A
		.X ±.1	ANGULAR ±5'		PROJECT ENGINEER		DRAWING NUMBER
		.XX ±.06	FRACTION ±1/8		MANUFACTURING ENGINEER		REV
		.XXX ±.030	DO NOT SCALE DRAWING		PROGRAM MANAGEMENT		SCALE NONE
		SIMILAR TO N/A	ACT WT N/A				RELEASE DATE
			CALC WT N/A				SHEET 1 OF

Arch Net Building Products, Inc.
 Tel: 888.483.2724
 Fax: 402.483.0535
 website: www.archcolumns.com