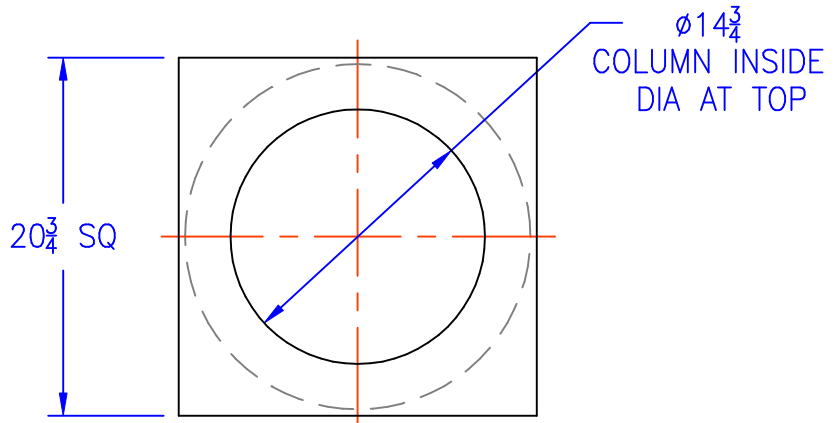


'L' OVERALL LENGTH	'B' BASE DIAMETER	WEIGHT IN LBS.
10'-0"	17 7/8"	69
11'-0"	17 7/8"	73
12'-0"	18"	82
14'-0"	17 3/4"	87
16'-0"	17 3/4"	98
18'-0"	17 13/16"	108
19'-0"	17 13/16"	115
20'-0"	18"	118



PLAN VIEW

18" COLUMN SPECIFICATIONS:

WALL THICKNESS: .125 (1/8")  
 LOAD BEARING CAPACITY: 24,000 LBS (AXIALLY)  
 NECK DIAMETER: 15 INCHES  
 TOP (BUILD-UP) DIA: 15 5/8 INCHES

18" DIAMETER COLUMN - TUSCAN

DATE	REV	CONTRACT NUMBER		Arch Net Building Products, Inc. Tel: 888.483.2724 Fax: 402.483.0535 website: www.archcolumns.com	
		UNLESS OTHERWISE SPECIFIED DIMENSIONS ARE IN INCHES		ORIGINATOR	DATE
		TOLERANCES		T. HARTLEY	11/11/04
		DECIMAL	ANGULAR	CHECKER	
		.XX ±.1	±.5°		
		.XXX ±.06	FRACTION ±1/8		
		.XXX ±.030			
		DO NOT SCALE DRAWING			
		TREATMENT	N/A	PROJECT ENGINEER	
		FINISH	N/A	MANUFACTURING ENGINEER	
		SIMILAR TO	N/A	PROGRAM MANAGEMENT	
		ACT WT	N/A		
		CALC WT	N/A		
		TITLE		FIBERGLASS COLUMN DETAIL 18" DIAMETER TUSCAN CAP & BASE	
		SIZE		DRAWING NUMBER	
		SCALE		REV	
		NONE		A	
		RELEASE DATE		SHEET 1 OF	