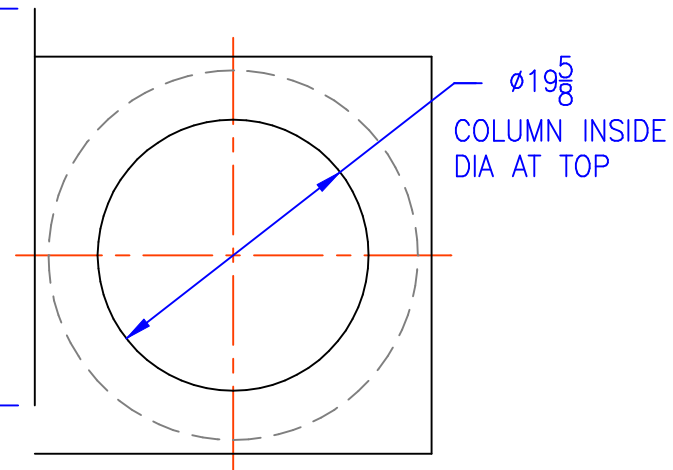


'L' OVERALL LENGTH	'B' BASE DIAMETER	WEIGHT IN LBS.
10'-0"	23 3/8"	129
12'-0"	23 7/16"	136
13'-0"	23 7/16"	119
14'-0"	23 1/2"	126
16'-0"	23 9/16"	139
18'-0"	23 5/8"	146
20'-0"	24"	172
22'-0"	23 13/16"	183
23'-0"	24"	183
24'-0"	23 3/4"	192
26'-0"	24"	203



PLAN VIEW

24" COLUMN SPECIFICATIONS:

WALL THICKNESS: .125 (1/8")
 LOAD BEARING CAPACITY: 30,000 LBS (AXIALLY)
 NECK DIAMETER: 20 INCHES
 TOP (BUILD-UP) DIA: 20 3/4 INCHES

24" DIAMETER COLUMN – TUSCAN

DATE	REV	CONTRACT NUMBER		Arch Net Building Products, Inc. Tel: 888.483.2724 Fax: 402.483.0535 website: www.archcolumns.com	
UNLESS OTHERWISE SPECIFIED DIMENSIONS ARE IN INCHES		ORIGINATOR T. HARTLEY		DATE 11/11/04	
TOLERANCES		CHECKER		PROJECT ENGINEER	
DECIMAL ±.1		FRACTION ±1/8		MANUFACTURING ENGINEER	
ANGULAR ±5'		PROGRAM MANAGEMENT		TITLE FIBERGLASS COLUMN DETAIL 24" DIAMETER TUSCAN CAP & BASE	
±.030		ACT WT N/A		DRAWING NUMBER	
DO NOT SCALE DRAWING		CALC WT N/A		REV	
DESCRIPTION		SIMILAR TO N/A		SCALE NONE	
REVISIONS		TREATMENT N/A		RELEASE DATE	
FINISH N/A		FINISH N/A		SHEET 1 OF	