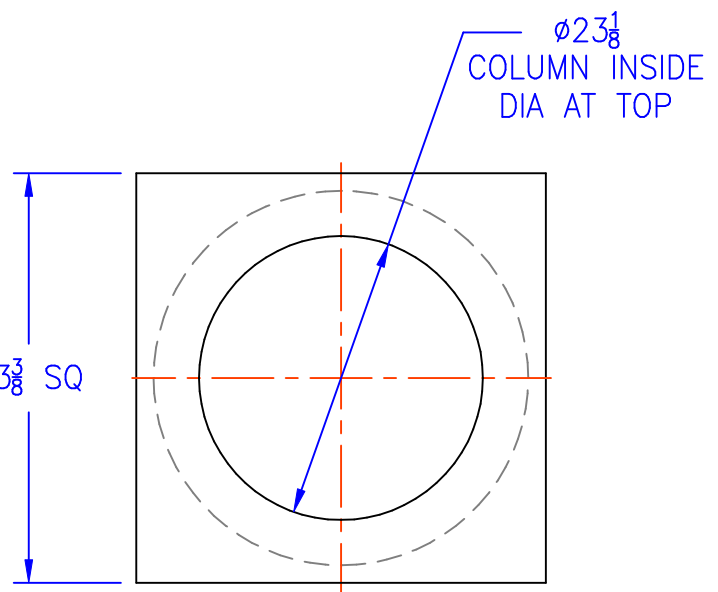


'L' OVERALL LENGTH	'B' BASE DIAMETER	WEIGHT IN LBS.
20'-0"	27 13/16"	235
22'-0"	27 7/8"	248
24'-0"	28"	259



PLAN VIEW

28" COLUMN SPECIFICATIONS:

- WALL THICKNESS: .125 (1/8")
- LOAD BEARING CAPACITY: 35,000 LBS (AXIALLY)
- NECK DIAMETER: 23 1/2 INCHES
- TOP (BUILD-UP) DIA: 25 1/2 INCHES

28" DIAMETER COLUMN – TUSCAN

REVISIONS	UNLESS OTHERWISE SPECIFIED DIMENSIONS ARE IN INCHES			CONTRACT NUMBER		Arch Net Building Products, Inc. Tel: 888.483.2724 Fax: 402.483.0535 website: www.archcolumns.com
	TOLERANCES			ORIGINATOR	DATE	
	DECIMAL	ANGULAR	FINISH	T. HARTLEY	11/11/04	
	±.1	±.5"	✓	CHECKER		
±.005	±.030	±1/8"	PROJECT ENGINEER		TITLE	
DO NOT SCALE DRAWING			MANUFACTURING ENGINEER		FIBERGLASS COLUMN DETAIL	
TREATMENT			PROGRAM MANAGEMENT		28" DIAMETER	
FINISH					TUSCAN CAP & BASE	
SIMILAR TO			ACT WT	CALC WT	SIZE	
N/A			N/A	N/A	A	
DATE			SCALE		RELEASE DATE	
REV			NONE			
DESCRIPTION			SHEET 1 OF			